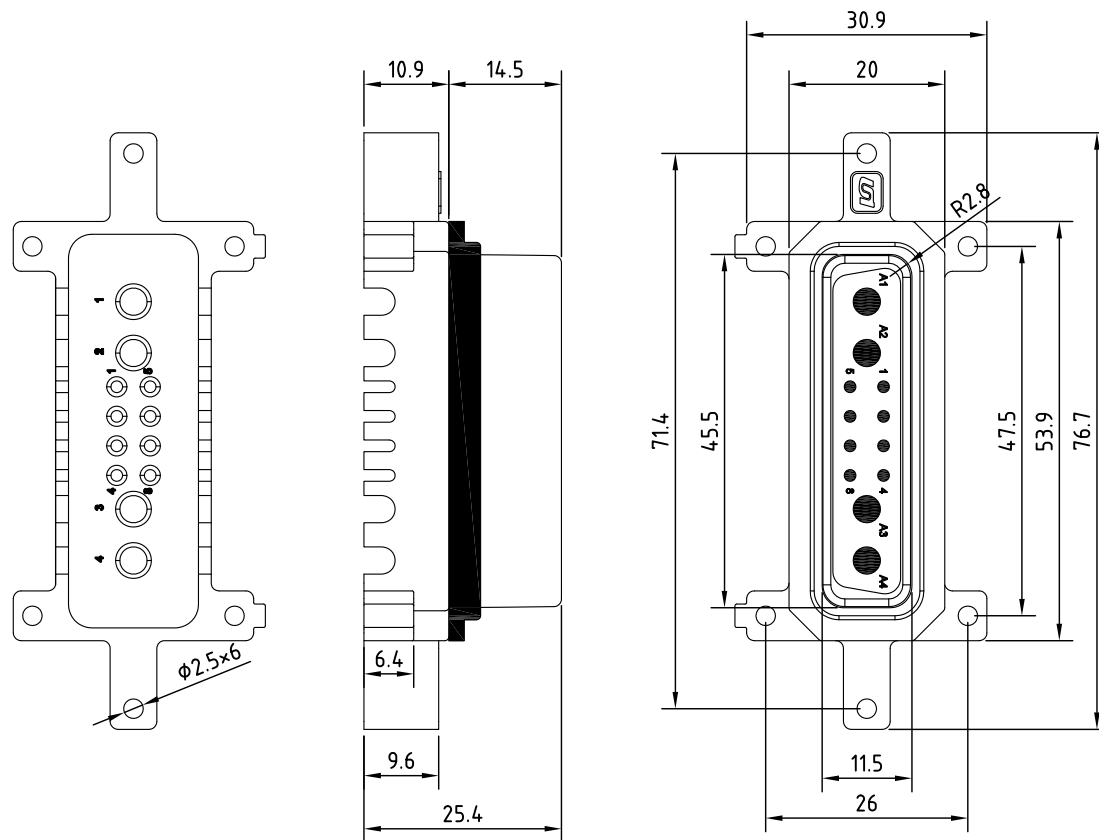


REV.	Description	Date
1	add dimensions	2012/2/7
2	spec. revise	2012/4/30
3	spec. revise	2012/11/20
4	contact resistance revise	2016/4/19
5	rated current revise	2018/10/5



Electronical Characteristics

Rated voltage : 250V
 Rated current : Large pin 35A
 : Small pin 10A
 Contact resistance : Large pin <5mΩ
 : Small pin <30mΩ

RoHS

TOLERANCE X±0.5 .X±0.3

4	Pad	Rubber	
3	O ring	Rubber	
2	Pin	Brass/gold plated	Gold plated
1	Body	PA	UL94V-0
Item	Description	Material	Treat & Remark



Unicable Co., Ltd. 國陽電業有限公司

5F., No. 111-33, Sec. 4, San Ho Road., San Chung Dist., New Taipei City, Taiwan, R.O.C.
<http://www.unicable.com.tw> TEL:+886-2-2286-2122 FAX:+886-2-2286-1010

DATE	2018/10/5	PART NO.	UT-3588-X
DWN	GINA	REV.	5
CHK			
UNIT	MM		

ITEM

High Power